

JS 10-305 G10

Qmax 600 m³/h - 10000 l/min (2642 USgpm) - Hmax 39 m (128 ft)

Code 10009549



Indicative picture of the product

Self-priming centrifugal bare shaft pump

Characteristics

The J series self-priming centrifugal pumps are used in applications where a rapid priming capacity is required from demanding suction heights combined with the ability to transfer and manage polluted fluids, dirty and abrasives with suspended large diameter solids. The system is based on an inspectable pump casing which also acts as a water tank allowing a first quick priming without auxiliary systems, simplifying management of the system and reducing the time for maintenance. Within the physically permitted suction height limits, J pumps are a more comfortable and reliable solution than submersible pumps and vertical submersed impeller pumps.

Applications

Industry:

clean, dirty, sandy, muddy, neutral, alkaline, acidic liquids; low viscous petroleum products, solvents even if dirty; milk of lime, caustic soda; washing, cooling, recirculation, smoke scrubbing.

Treatment:

pumping polluted corrosive wastewater containing sand, mud or solids in suspension; dosing neutralizing liquids; pumping out settled sludge.

Naval:

loading and unloading; bilge pumping; washing, fire-fighting, stripping, sanitary duty and circulation.

Agriculture:

surface irrigation; liquid manure oxygenation; transfer and spraying liquid manure or fertilizers; distribution of liquid animal feed; transfer of wine must; washing.

Product Data

Suction port

Flanged - DN250 DI1882 TL (solder)

Delivery port

Flanged - DN250 DI1882 TL (solder)

Qmax

600 m³/h - 10000 l/min (2642 USgpm)

Hmax

39 m (128 ft)

Solids handling

76 mm (3")

Weight

550 kg (1212 lb)

EX version



Pump with dedicated code, including thermowell predisposition for temperature sensor and glass oiler for mechanical seal quench fluid, according to **ATEX 2014/34/EU**.

Benefits

1) Rapid self-priming

Without foot valve up to a height of 7.5 m (24.5 ft)

2) High resistance

To abrasive liquids which are turbid and sandy

3) Semi-open impeller

High thickness casting impact resistant

4) Wear plate/plates

Easily replaceable cast iron wear plate/plates

5) Easy inspection and cleaning

Removable front covers for access to the impeller

Varisco S.r.l. has certified its Quality, Environment and Safety Management System in accordance with the requirements of the international standard ISO 9001-14001-45001, recognized by the Lloyd Register.

Specification is subject to change without prior notice. Please check with your Varisco representative for the latest specifications.

Document release date: February 15th 2024

JS 10-305 G10



PERFORMANCE CURVES

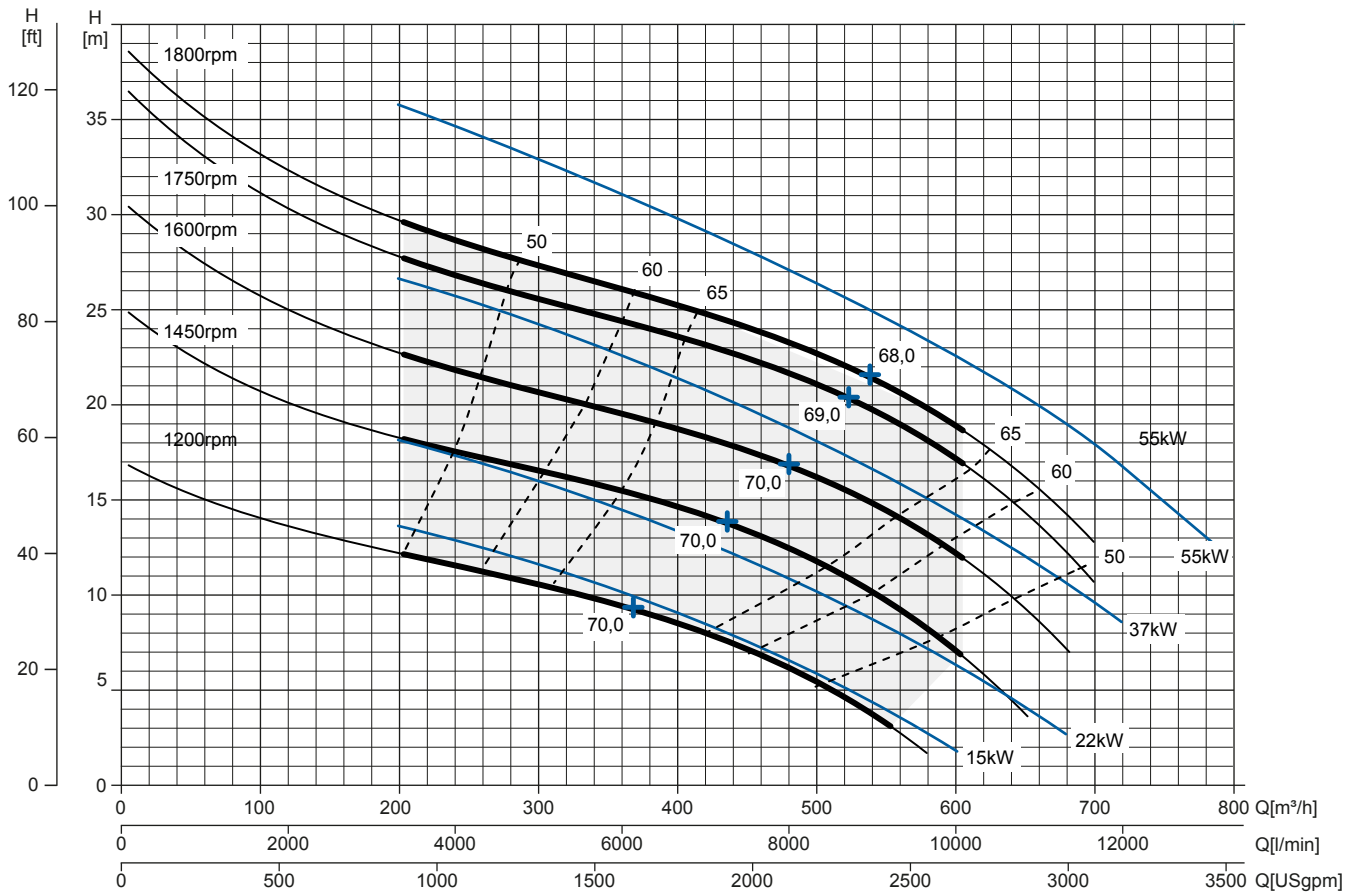
Test according to **UNI EN ISO 9906 standard - level 2B**

Max. applicable motor power: **55 kW - 75 HP (max 1.800 rpm)**

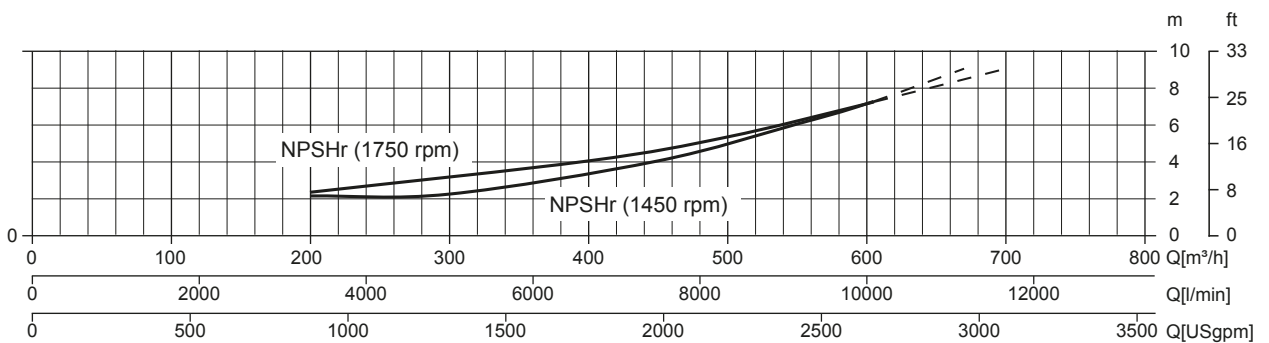
Test liquid: **clean water, density 1.000 kg/m³**

Spherical solids handling: **D.76 mm (3")**

Multiple Speed Curve



NPSHr Curve



JS 10-305 G10

TECHNICAL DATA

Pump

Pump model	JS 10-305 G10
Qmax [1.800 rpm]	600 m ³ /h - 10000 l/min (2642 USgpm)
Hmax [1.800 rpm]	39 m (128 ft)
Suction port	Flanged - DN250 DI1882 TL (solder)
Delivery port	Flanged - DN250 DI1882 TL (solder)
Impeller type	Semi-open, 2 vanes
Solids handling	76 mm (3")
Casing	EN 1561 EN-GJL-200 cast iron
Impeller	EN 1563 EN-GJS-400 cast iron
Wear plate	EN 1561 EN-GJL-200 rubberized cast iron
Non-return valve	check-valve, NBR
Shaft	39NiCrMo3 EN 10083-3 steel
Mechanical seal	Silicon carbide / Silicon carbide
Elastomers	FKM
Lubrication	Grease
Bearing bracket	EN 1561 EN-GJL-200 cast iron, with grease lubricated ball bearings

Arrangement

Model	Bare shaft
Dimensions (L x W x H)*	1292 x 758 x 942 mm (50,9 x 29,8 x 37")
Coating	Polyurethane enamel, average thickness of 100 µm
Color	RAL 5010 blue (standard)
Height connection	0,69 m (2,3 ft)

*without flanged ports

Optionals

Flanged ports DN250 PN16 EN1092-2 Type B	Complete pump set code available on request
Flanged ports 10" ANSI B16.1 Class 125 R.F.	Complete pump set code available on request
Automatic mechanical seal greaser	Code: 10008316
Thermocouple temperature sensor for ATEX pump	TC - Range temperature from 0 up to 300°C
Temperature sensors for ATEX pump	PT100 - Range temperature from 0 up to 300°C

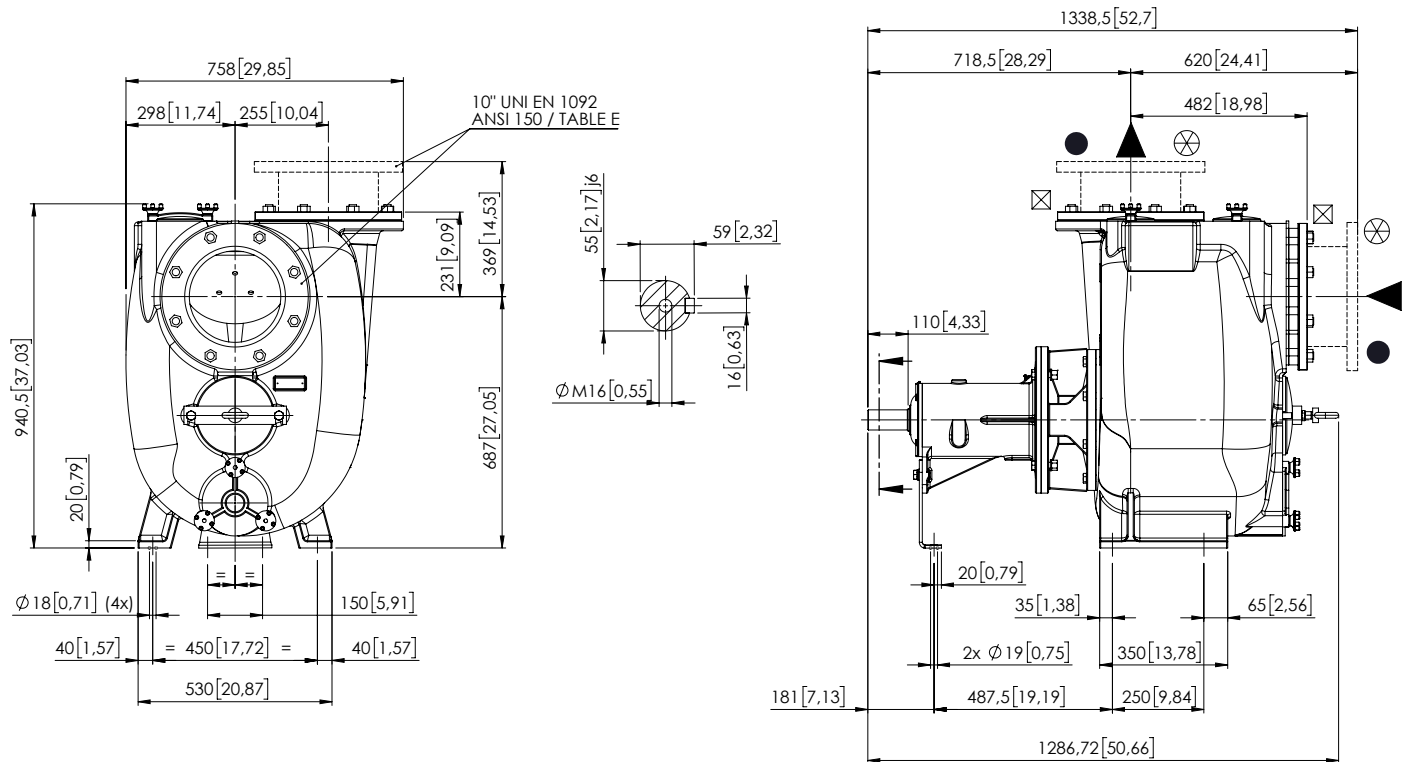
Weight

Net weight	550 kg (1212 lb)
Gross weight (pump + packing)	580 kg (1278 lb)

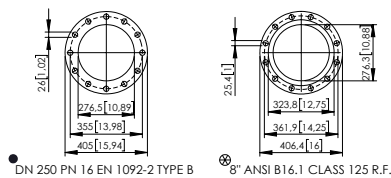
JS 10-305 G10

DIMENSIONS

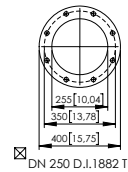
mm [in]



FLANGIATURA SU RICHIESTA / FLANGES ON REQUEST



FLANGIATURA STANDARD
STANDARD FLANGES



PACKAGING DIMENSIONS

Dimensions

JS 10-305 G10 (L x W x H)
Gross weight (pump + packing)

1200 x 1000 x 1150 mm
580 kg (1278 lb)

